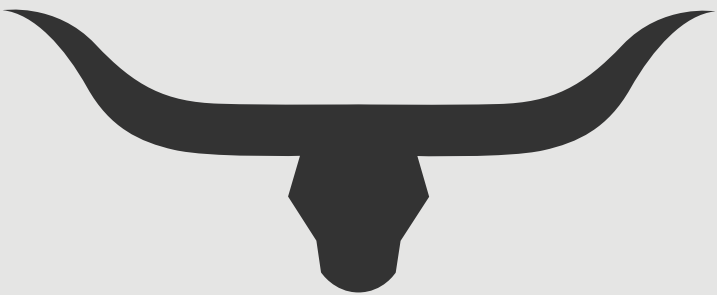


LONGHORN
PREMIUM GRILLS

READ THE FLAMING MANUAL!

[946920] LONGHORN PIZZA OVEN FREESTANDING





USER MANUAL AND INSTRUCTIONS

-USE OUTDOOR ONLY.

-READ THE INSTRUCTIONS BEFORE USING THE APPLIANCE

-WARNING: ACCESSIBLE PARTS MAY BE VERY HOT. KEEP YOUNG CHILDEN AWAY

WARNING!

- The oven is designed for use outdoor only. NEVER use in doors or in an enclosed area.
- Always use in a well ventilated area to prevent the possibility of carbon monoxide poisoning or asphyxiation.
- Always keep young children and pets away from the oven. The temperature of the oven can be extremely hot and can not cause burn.
- Always use heat resistant utensils while cooking. DO NOT put plastic spoons, fork, tongs etc and any other material which can not be stand high temperature inside the oven.
- Always clean and maintain the appliance after each using.
- Although the oven is well insulated, the external still has the possibility to get very hot. DO NOT touch the surface when the oven is in using.
- Always use the seasoned hardwood as fuel.
- Only use cookware suitable for high temperature like cast iron and terra.
- Flames can exit via the oven mouth. DO NOT put any flammable liquid and material near the oven mouth.
- DO NOT extinguish the fire with water.
- DO NOT throw logs but place them carefully inside the oven fire box. Throwing logs into the oven will damage the internal parts of the oven.
- Always check and make sure the chimney and smoke exit are free of blockages before every using.

LIGHITNG THE OVEN

1. Make a small fire using small dry wood and paper in the middle of the chamber of the oven to start the fire.
2. After the fire starts, add bigger wood on the small fire and move the embers to one side of the chamber. Add wood slowly and do not suffocate the fire.
3. Keep burning till the temperature gauges shows 250 /480 , the oven is ready for use.

EXTINGUISH THE FIRE

1. To extinguish the fire, please close the door and wait until the embers becomes ash.
2. Remove the gas after the fire had been extinguished after at least 30 minutes.

WARMING! DO NOT EXTINGUISH THE FIRE BY USING WATER.

MAINTENANCE AND CLEANING

- When the fire has been extinguished and cool down, remove the ash from the chamber by using heat resistant brush and dustpan, etc.
- Clean the oven floor with a brush and a wet soft cloth,
- Clean the external surface by a towel with warm water
- Use clean oil like WD40 to maintain the surface to avoid rust or keep shining look.
- Never leave the ash inside your oven for long time because it would collect moisture and damage your oven.

TROUBLE SHOOTING

* IF THE OVEN BEGINS TO SMOKE

- Check and make sure the wood is dry and seasoned wood and not wet.
- Ensure the fire is made by gradually increasing a constant live flame to avoid any incomplete combustion.
- Make sure the flue exit is in good ventilation for smoke to exit.

*IF THE OVEN DOES NOT HEAT PROPERLY

- Make sure the fire is placed on the side of the oven away from the oven mouth.
- Make a fire of blazing flame for 20-30 minutes
- Do not use green or wet wood
- Add additional wood to the fire gradually.

*IF THE OVEN COOLS DOWN TOO QUICKLY

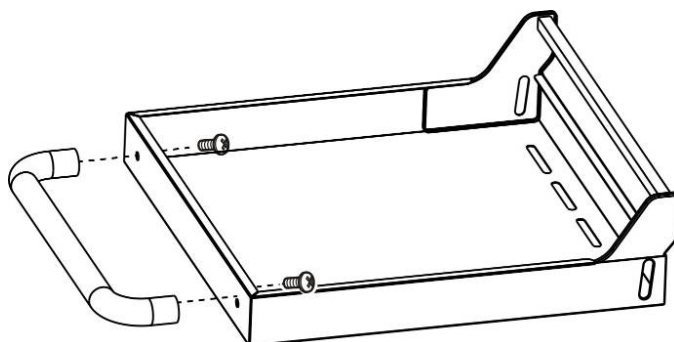
- It possibly caused by the first starting or starting the oven after a long period of inactivity.
- Do not make a small or fast fire which can not heat the oven to capacity
- Verify that water or humidity never infiltrate the oven

ASSEMBLY

1. Assembly the side table handle.



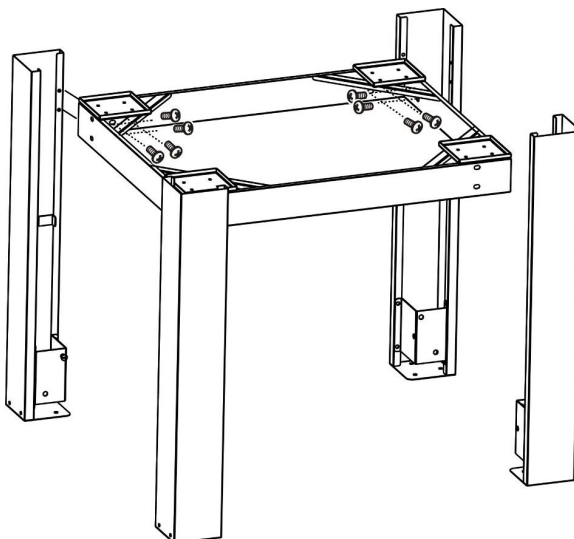
M6*10 4 PCS



2. Assembly bottom and 4 legs



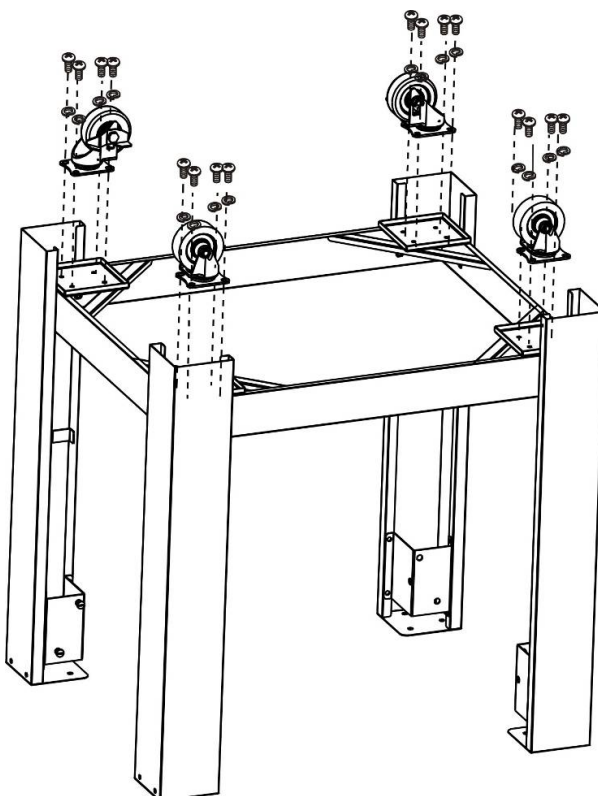
M5*10 16 PCS



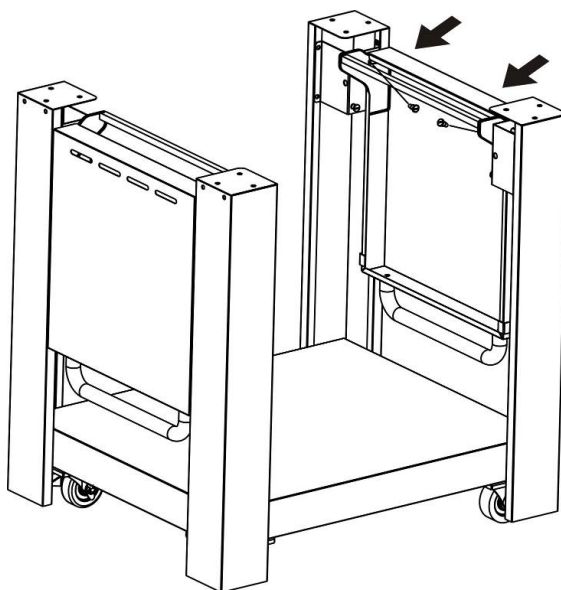
3. Assembly wheels



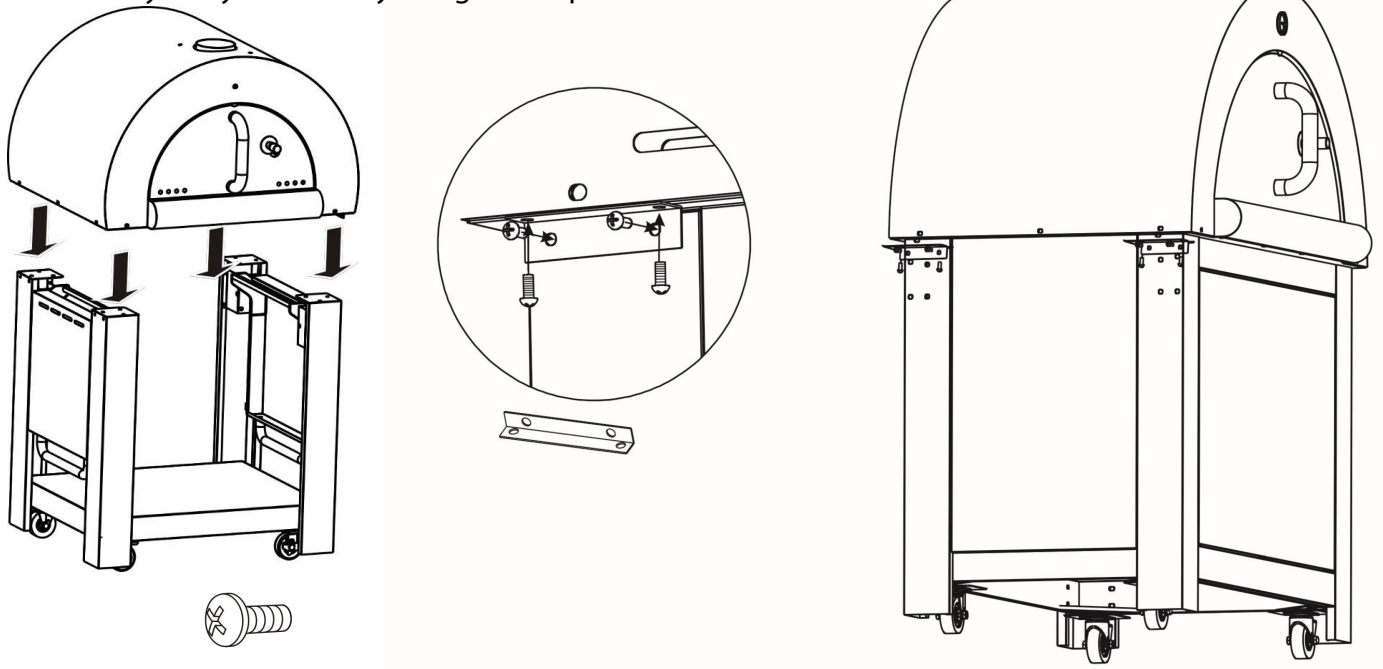
M6*12 16 PCS



4. Assembly side table

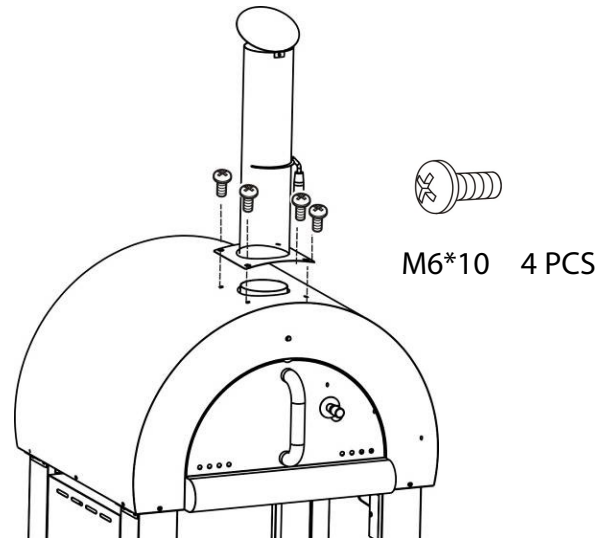


5. Assembly body and cart by using a L shape sheet from outside.



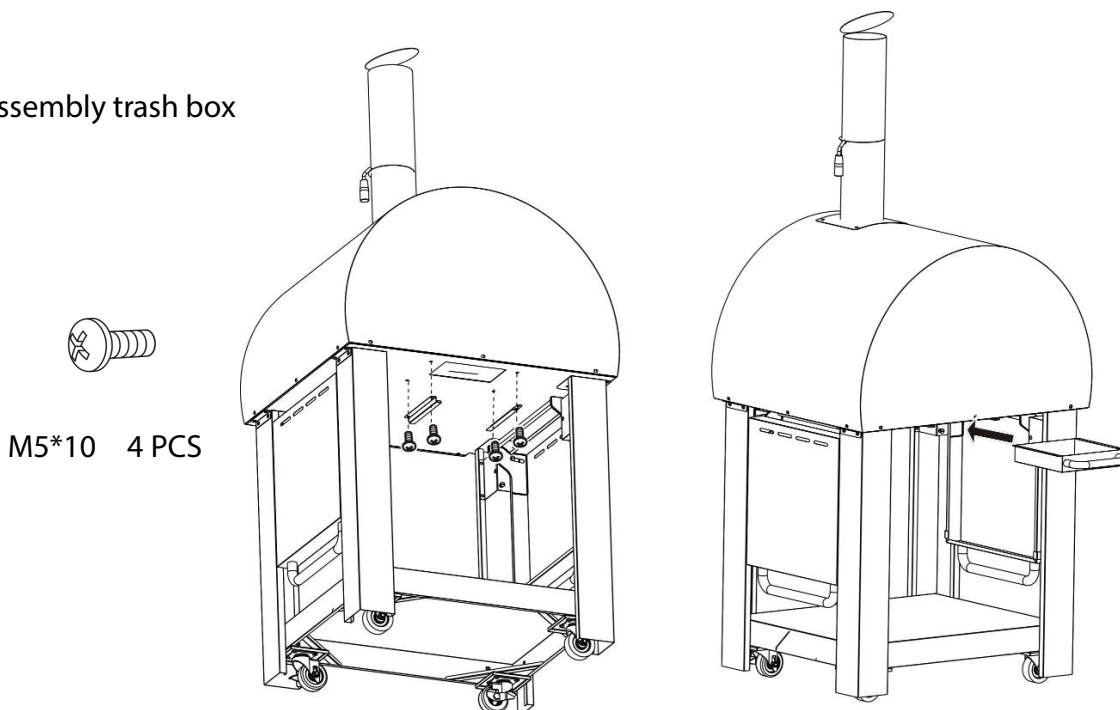
M5*10 16 PCS

6. Assembly chimney



M6*10 4 PCS

7. Assembly trash box



M5*10 4 PCS

SERVICE AND CONTACT INFORMATION

Postal

Trade Tested Limited, PO Box 9117, Newmarket Auckland 1149, New Zealand

Telephone

0800 800 880

Email

support@tradetested.co.nz

Website

www.tradetested.co.nz

Our manuals are constantly being reviewed however if you should find an error, omission or if there is anything you find unclear please contact us for assistance.

